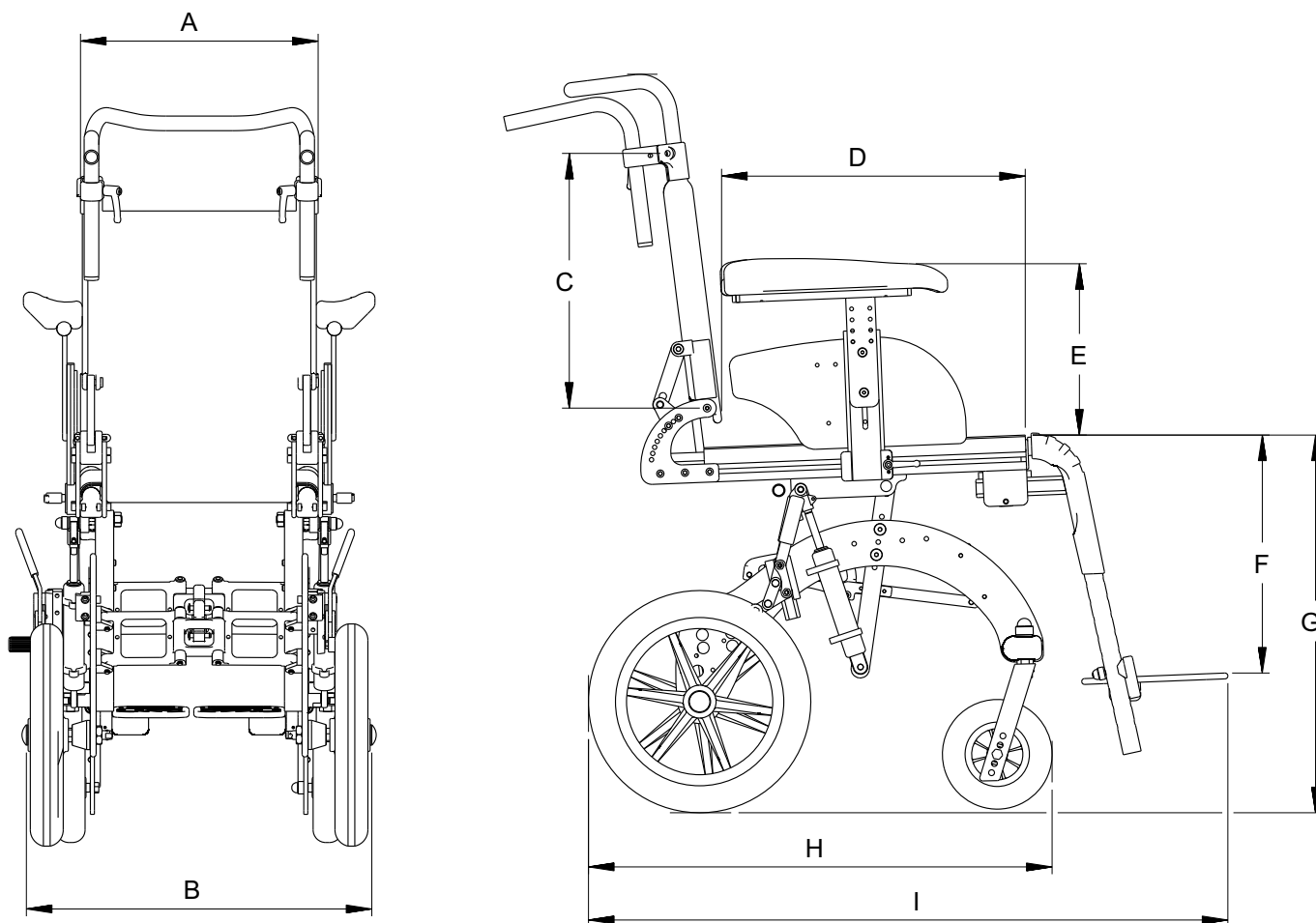


GENERAL FEATURES

Maximum user weight **100 kg**
 Empty weight **16 kg**
 Maximum safe slope **10°**
Crash tested (ISO 7176-19 compliant)

TECHNICAL INFORMATION



É SIZE [cm]	B TOTAL WIDTH [cm]	C BACKREST HEIGHT [cm]	D SEAT DEAPTH [cm]	E ARMREST HEIGHT [cm]	F LEGREST LENGHT [cm]	G SEAT HEIGHT [cm]	H GLOBAL DEPTH. [cm]	I GLOBAL DEPTH INCLUDING LEGREST [cm]
30,32	48	28-40	30-42	19-25	21-41	50	64	88
34	50							
36	52							
38	54							

These information may vary according to the specific customization of each wheelchair.